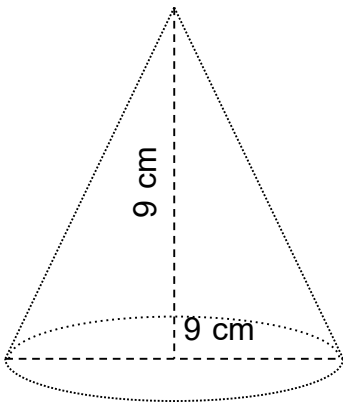


Find the volume.

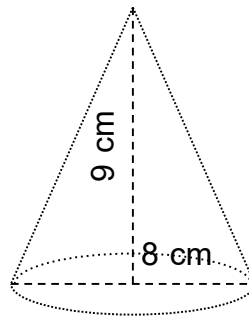
1.



$$V = 191 \text{ cm}^3$$


---

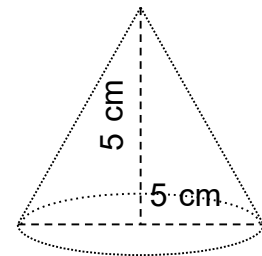
2.



$$V = 151 \text{ cm}^3$$


---

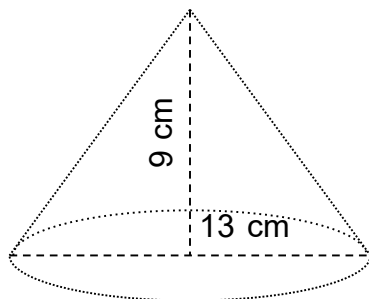
3.



$$V = 33 \text{ cm}^3$$


---

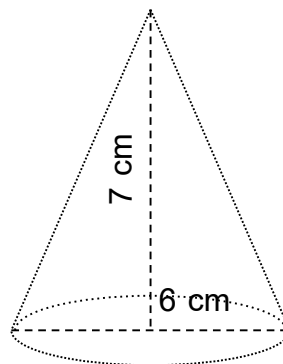
4.



$$V = 398 \text{ cm}^3$$


---

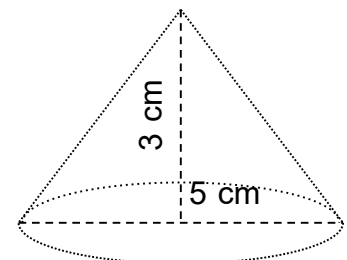
5.



$$V = 66 \text{ cm}^3$$


---

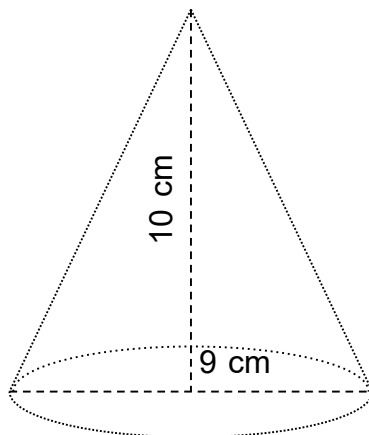
6.



$$V = 20 \text{ cm}^3$$


---

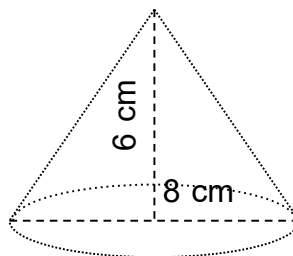
7.



$$V = 212 \text{ cm}^3$$


---

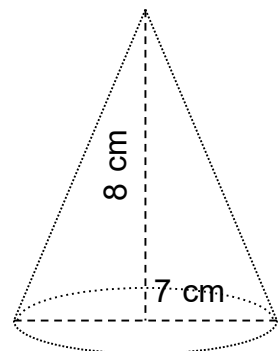
8.



$$V = 101 \text{ cm}^3$$


---

9.



$$V = 103 \text{ cm}^3$$


---