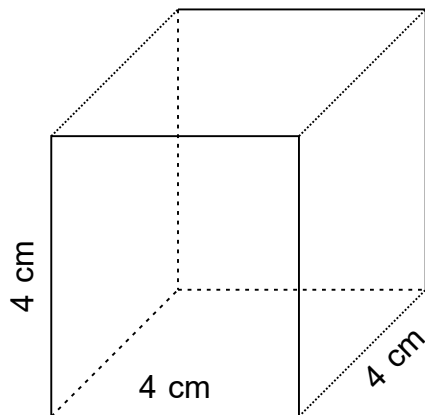


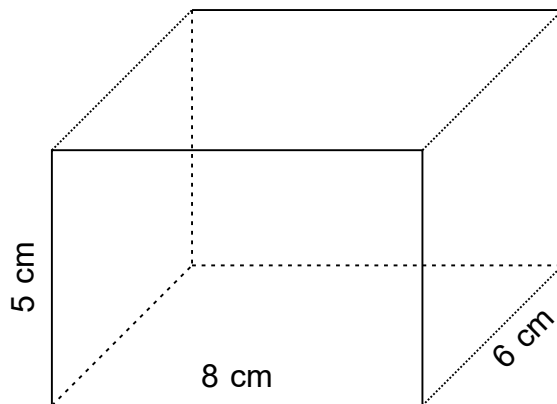
Find the volume.

1.



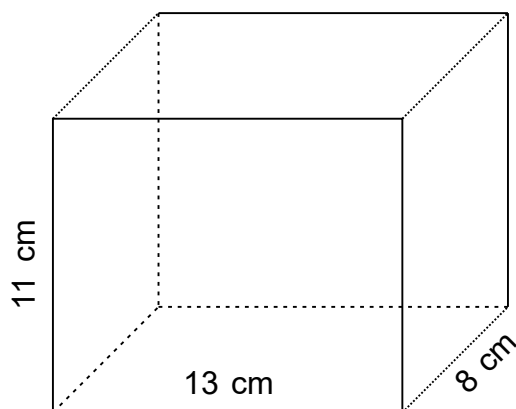
$$V = 64 \text{ cm}^3$$

2.



$$V = 240 \text{ cm}^3$$

3.



$$V = 1,144 \text{ cm}^3$$
