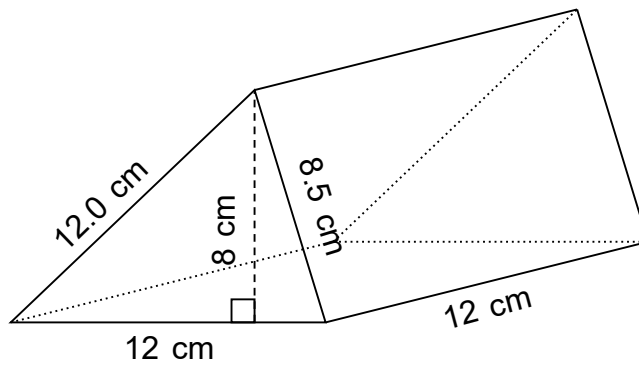


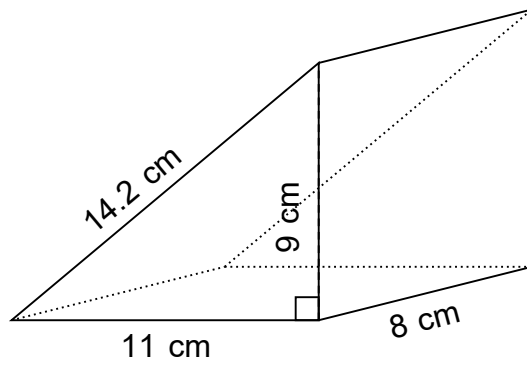
Find the volume.

1.



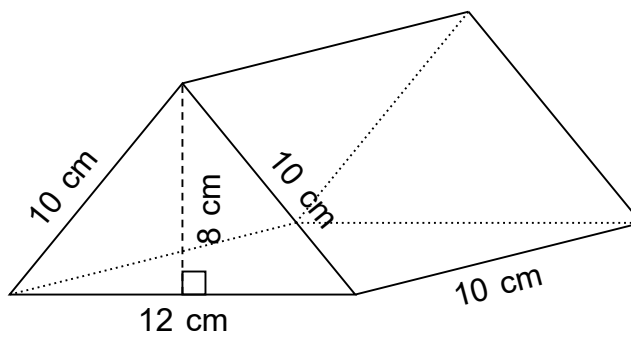
$$V = 576 \text{ cm}^3$$

2.



$$V = 396 \text{ cm}^3$$

3.



$$V = 480 \text{ cm}^3$$